

PAMS Technical Documentation

NS*-3/5 Series Transceivers

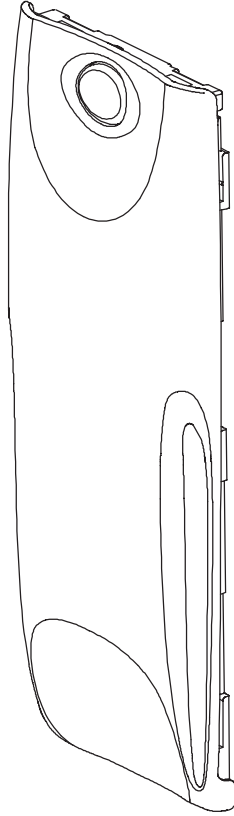
Non Serviceable Accessories

CONTENTS

Slim Battery BLS-2S	3
Slim Battery BLS-2	4
Standard Battery BMS-2	5
Vibrator Battery BMS-2V	6
Extended Battery BLS-4	7
AC Travel Charger ACP-7	8
Fast Travel Charger ACP-8	9
Fast Travel Charger ACP-9	10
Cigarette Lighter Charger LCH-9	11
Desktop Stand DCH-9	12
Mobile Holder MBC-1	13
Mobile Holder MCC-1	14
Power Cable PCH-4J	15
Handsfree Microphone HFM-8	16
Handsfree Speaker HFS-12	17
Mounting Plate MKU-1	18
Swivel Mount HHS-9	18
Headset HDC-9	19
Belt Clip BCH-12	20
External Antenna Cable XRC-1	21
Data Adapter Cable DAC-2	22

Slim Battery BLS-2S

The BLS-2S is a Li-ion light weight battery with 900 mAh capacity.



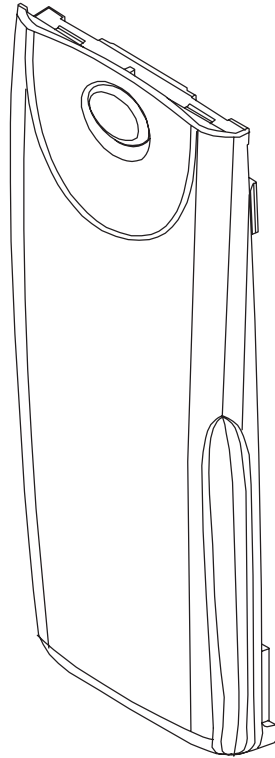
Product Code

Battery pack BLS-2S:

0670234

Slim Battery BLS-2

The BLS-2 is a Li-ion light battery with 900 mAh capacity.



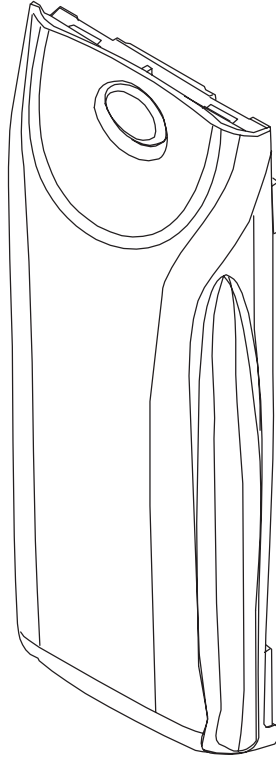
Product Code

Battery pack BLS-2:

0670206

Standard Battery BMS-2

The BMS-1 is a NiMH battery with 900 mAh capacity.



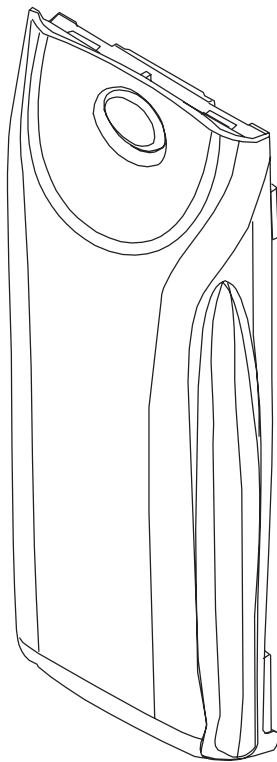
Product Code

Battery pack BMS-2:

0671323

Vibrator Battery BMS-2V

The BMS-2V is a NiMH battery with 900 mAh capacity and vibrator.



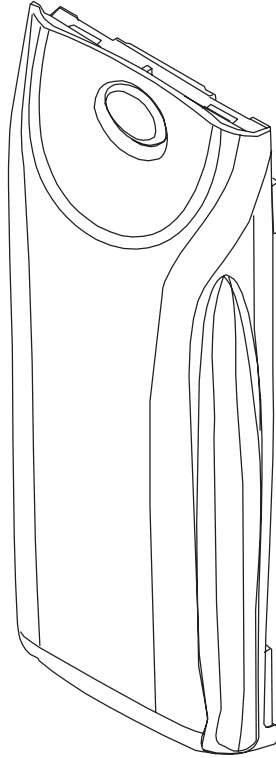
Product Code

Battery pack BMS-2V:

0670204

Extended Battery BLS-4

The BLS-4 is a Li-ion battery with 1500 mAh capacity.



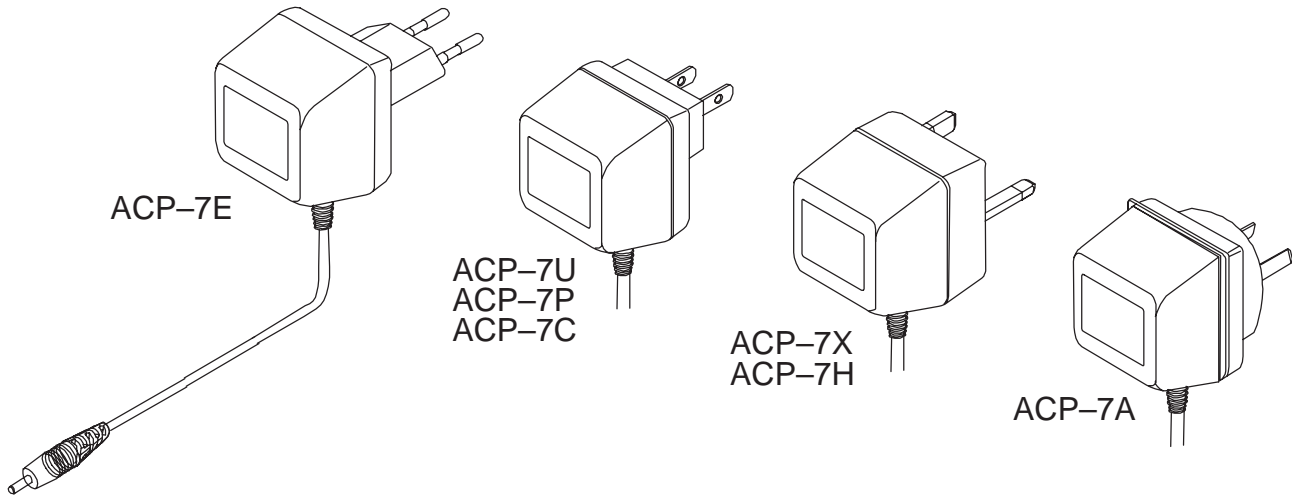
Product Code

Battery pack BLS-4:

0670207

AC Travel Charger ACP-7

The standard charger is available for different voltage levels and comes with different wall plugs. The standard charger can also be used as a power supply for the basic stand and desktop stand.



S0001160

Product Codes

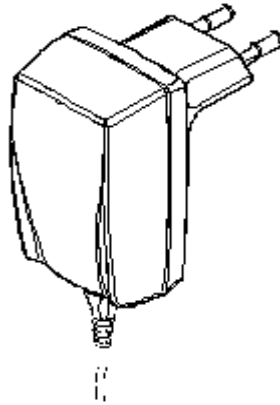
AC Travel Charger (Euro plug) 207–253 Vac
 AC Travel Charger (US plug) 108–132 Vac
 AC Travel Charger (US plug) 207–253 Vac
 AC Travel Charger (US plug) 198–242 Vac
 AC Travel Charger (UK plug) 207–253 Vac
 AC Travel Charger (UK plug) 180–220 Vac
 AC Travel Charger (Australia) 216–264 Vac

ACP-7E 0675144
 ACP-7U 0675143
 ACP-7P 0675147
 ACP-7C 0675158
 ACP-7X 0675145
 ACP-7H 0675146
 ACP-7A 0675148

Specification

Output connectors:	3.5 mm DC plug, 2-pole
Protection:	PTC protection
Output Voltage /Current (typ)	7.6 V / 370 mA

Fast Travel Charger ACP-8



Product Codes

Fast Travel Charger (Euro plug) 90–264 Vac	ACP-8E	0675195
Fast Travel Charger (US plug) 90–264 Vac	ACP-8U	0675196
Fast Travel Charger (UK plug) 90–264 Vac	ACP-8X	0675197
Fast Travel Charger (Australia) 90–264 Vac	ACP-8K	0675199
Fast Travel Charger (Australia) 90–264 Vac	ACP-8A	0675214
Fast Travel Charger (Australia) 90–264 Vac	ACP-8C	0675211

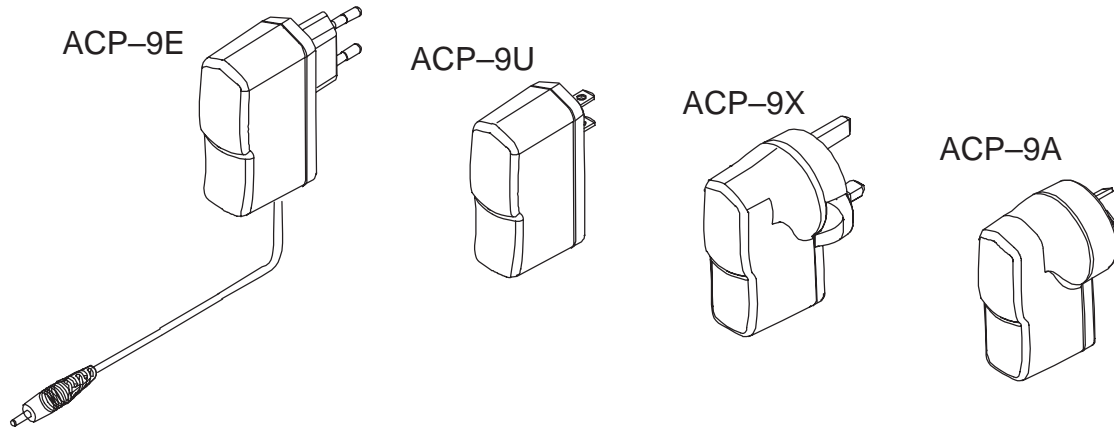
Specification

Dimensions:	70 x 40 x 56 mm
Weight :	75+35 (cable)g
Output voltage:	6.0V +0.3V / -0.7V
Input voltage:	90 to 264VAC 50/60 Hz
Charging Time	2h 30min for BML-3

Fast Travel Charger ACP-9

Operating within the voltage range 90 V...264 V AC (50 Hz...60 Hz), the Fast Travel Charger is practically current independent in normal office and household use. Like the standard charger, it is compatible with all battery options and is available for different wall sockets.

The Fast Travel Charger can also be used with basic stand and desktop stand.



Product Codes

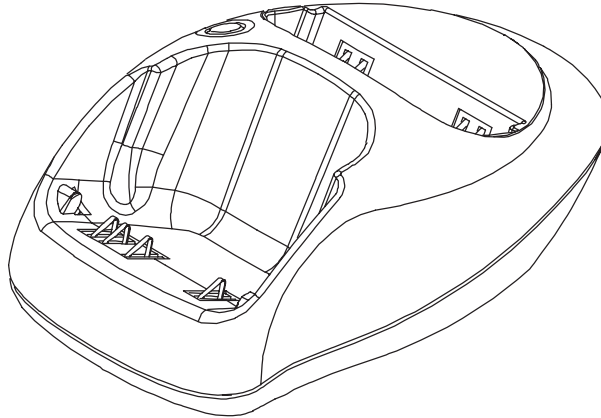
Fast Travel Charger (Euro plug) 90-264 Vac	ACP-9E	0675149
Fast Travel Charger (US plug) 90-264 Vac	ACP-9U	0675151
Fast Travel Charger (UK plug) 90-264 Vac	ACP-9X	0675150
Fast Travel Charger (Australia) 90-264 Vac	ACP-9A	0675152
Output cable PCC-1 (supplied with ACP-9):		0730076

Specification

Output connectors:	<i>3.5 mm DC plug, 3-pole (+, -, control)</i>
Protection:	<i>output current limiting, max. 850 mA</i> <i>output voltage limiting, max. 9.3 V (unloaded)</i>
Output voltage/current (typ):	<i>8.4 V / 800 mA</i>

Desktop Stand DCH-9

The desktop stand provides mounting place for both the phone and a spare battery.



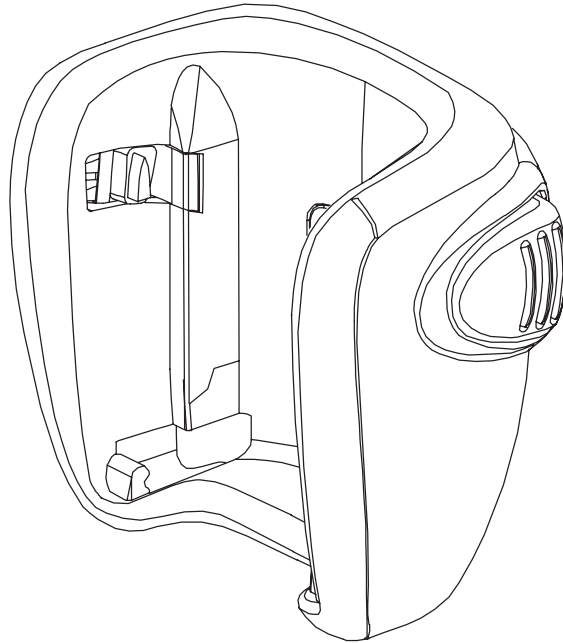
Product Code

Basic stand DCH-9: 0700049

Specification

Connections: 3.5 mm DC jack
Charge control: MCU control for spare battery charging
Operation input voltage: 9... 16 V

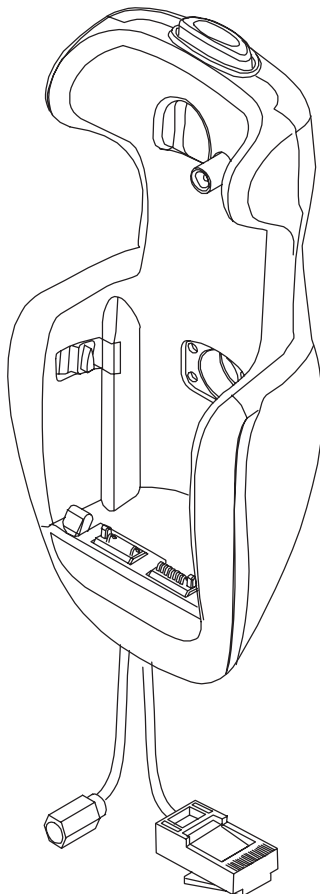
Mobile Holder MBC-1



Product Code

Mobile holder MBC-1: *0700060*

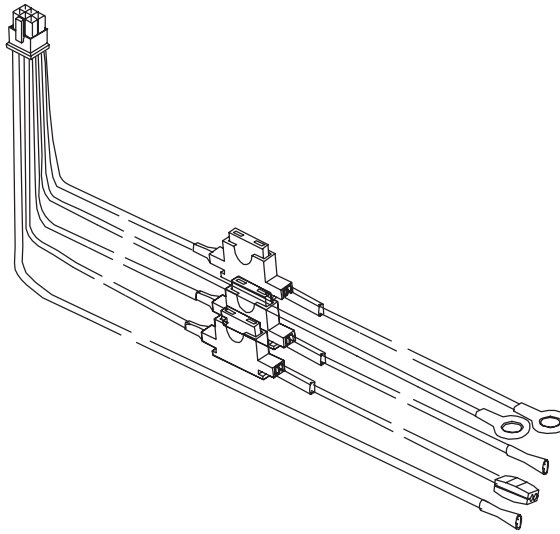
Mobile Holder MCC-1



Product Code

Mobile holder MCC-1: *0620043*

Power Cable PCH-4J



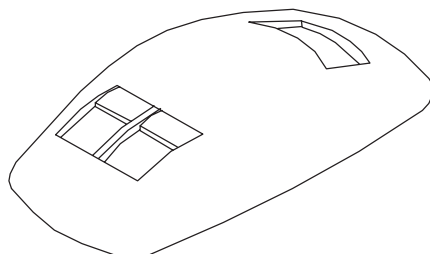
Product Code

Power cable PCH-4J:

0730055

Handsfree Microphone HFM-8

The HFM-8 microphone forms part of compact handsfree unit.



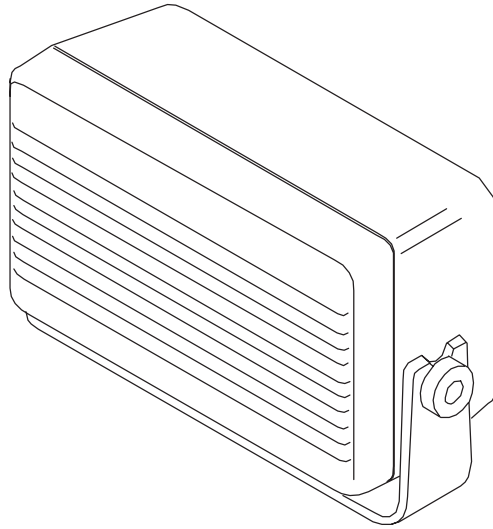
Product Code

Handsfree microphone HFM-8:

0690016

Handsfree Speaker HFS-12

The HFS-12 speaker forms part of compact handsfree unit.

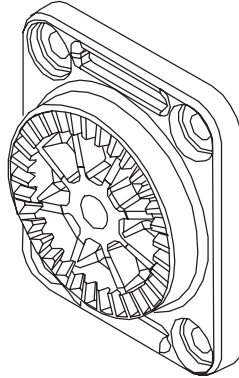


Product Code

Handsfree Speaker HFS-12: 0692008

Mounting Plate MKU-1

The MKU-1 mounting plate provides a method of fixing the phone holder, the compact handsfree unit or the handset to the vehicle interior.



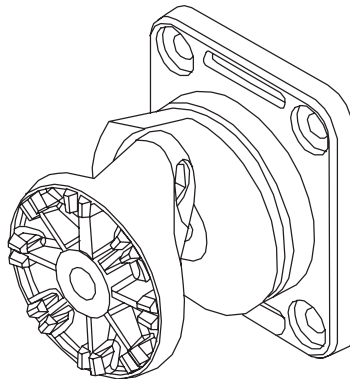
Product Code

Mounting plate MKU-1:

0620036

Swivel Mount HHS-9

The HHS-9 swivel mounting plate provides an alternative (to MKU-1) method of locating the phone holder, the handsfree unit ,or the handset.

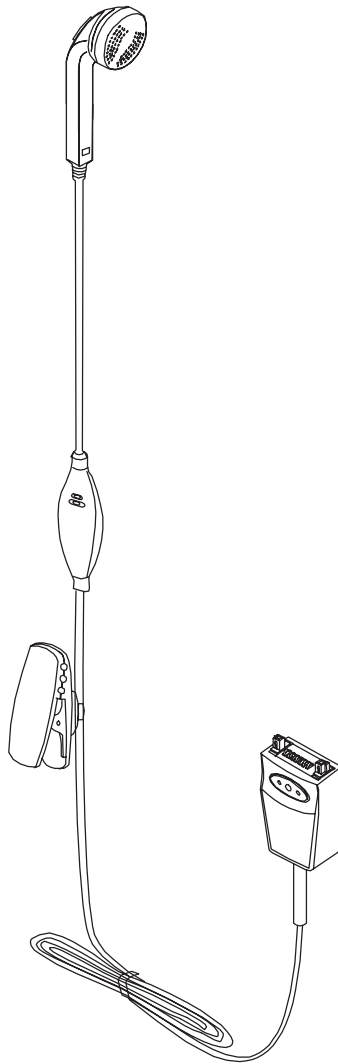


Product Code

Swivel mounting plate HHS-9:

0620037

Headset HDC-9

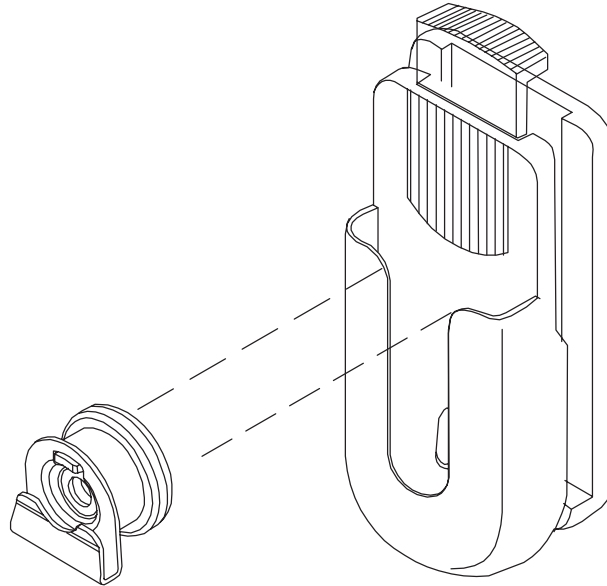


Product Code

Headset HDC-9:

0694053

Belt Clip BCH-12



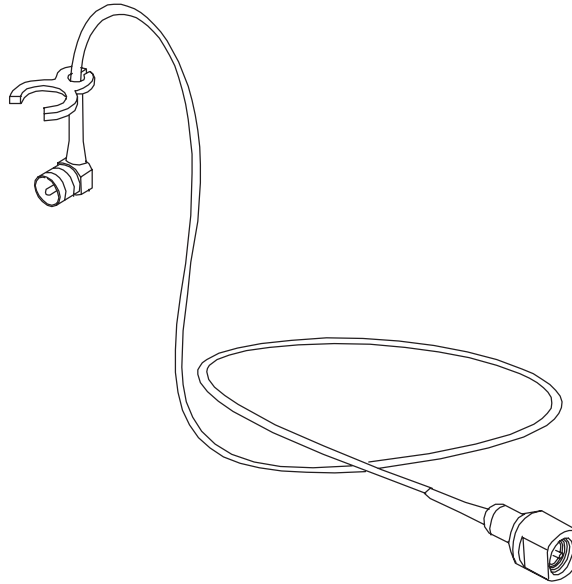
Product Code

Belt Clip BCH-12:

0720098

External Antenna Cable XRC-1

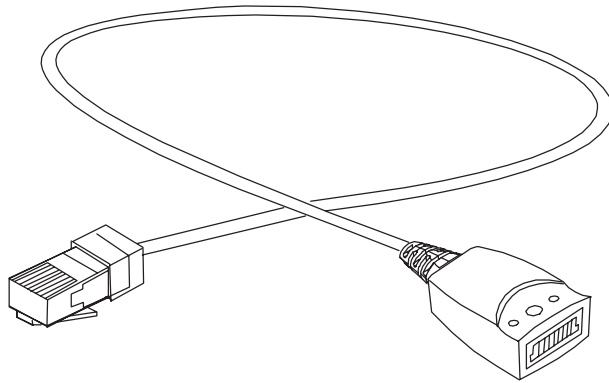
The External Antenna Cable is used to connect the phone to an external antenna.



Product Code

External Antennacable XRC-1: *0730103*

Data Adapter Cable DAC-2



Product Code

Data Adapter Cable DAC-2:

0720100